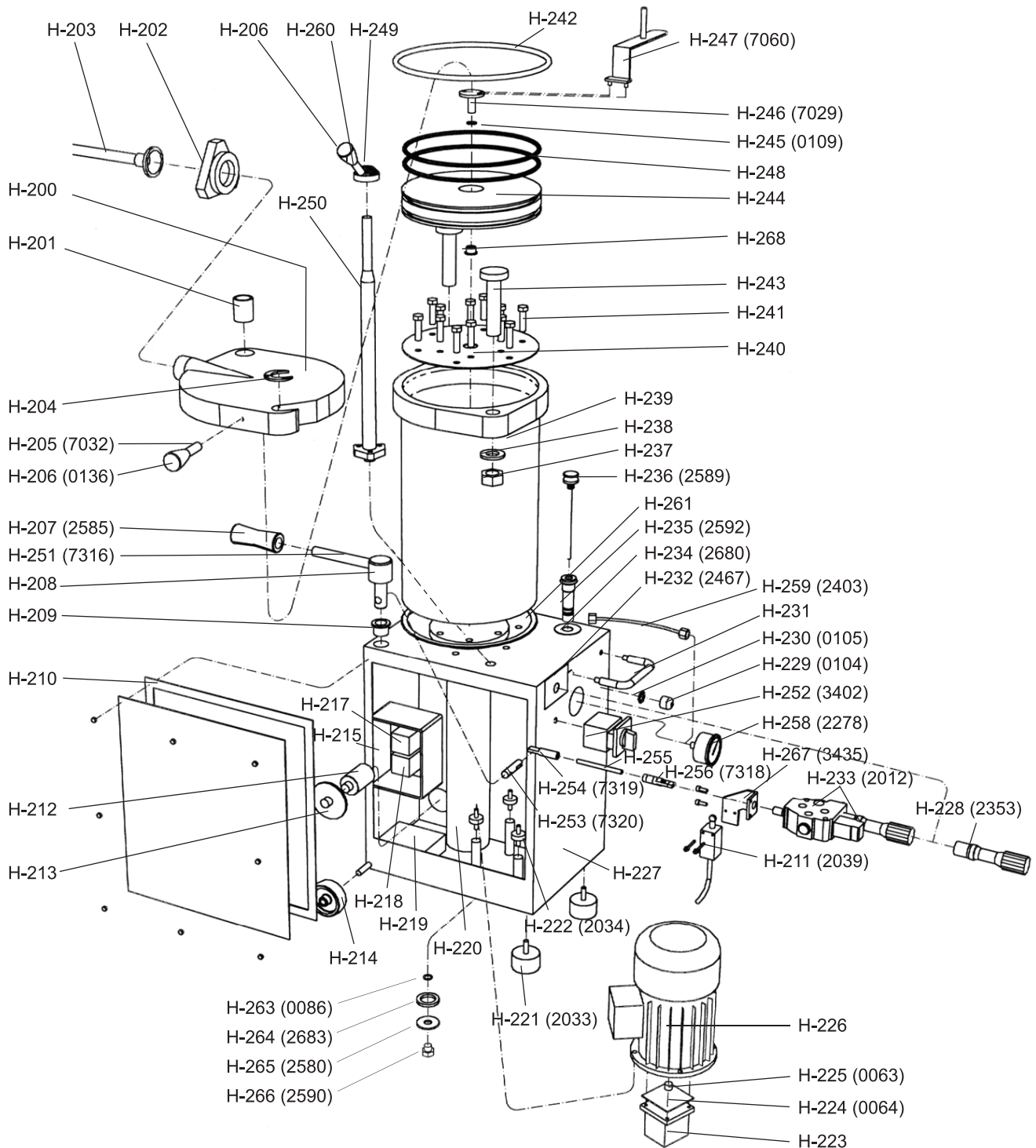


Parts Breakdown

Model SS-ES-0026-PASM 13753



Parts Breakdown

Model SS-ES-0026-PASM 13753

Item No.	Description	Position	Item No.	Description	Position	Item No.	Description	Position
16536	Aluminum Lid with Horseshoe without Accessories for 13753	H200	16513	Hydraulic Cylinder DE0450800412G01 for 13753	H220	16540	Stainless Steel Special Short Bolt M27 Fitted Lid for 13753	H243
36006	Aluminum Lid with Horseshoe without Accessories for 13753	H200	27879	Rubber Cylindrical Foot TS-60-49 Green for 13753	H221	31263	Piston Aluminum with Sleeve without O-Rings for 13753	H244
36084	Stainless Steel Lid without Accessories for 13753	H200	19253	Rubber Cylindrical Foot T-30-10 Black (Antivibration for Motor NH) for 13753	H222	36069	Piston Stainless Steel without O-Rings for 13753	H244
19414	White Plastic Bushing 38/20/46mm (Aluminum Lid) for 13753	H201	18285	Gear Pump 1L05IB01 R for 13753	H223	36064	O-Ring Int. Diam. 18.72/2.62 (Piston Lock H) for 13753	H245
19409	Bronze Bushing B11 A-30-38-45 (Aluminum Lid) for 13753	H201	31221	Seal Vellumoid 1625-1 for Pump Type L for 13753	H224	16538	Piston Retaining Bolt-Screw Stainless Steel M14/1.5mm for 13753	H246
36014	Bronze Bushing B11 A-30-38-26 3 (Stainless Steel Lid) for 13753	H201	31222	Motor-Pump Coupling for 13753	H225	16543	Extracting Piston Wrench-Screw for 13753	H247
16542	Nozzle/Horn Retention Nut Aluminum for 13753	H202	76788	Electric Motor for 13753	H226	16534	Piston O-Rings Int. Diam. 253/7mm for 13753	H248
31460	Nozzle/Horn Retention Nut Stainless Steel for 13753	H202	76789	Machine Frame for 13753	H227	36061	Nut for Lid Lock Economy M20 D.55mm Stainless Steel for 13753	H249
36034	Horseshoe INOX Stainless Steel Aluminum Lid only Economy for 13753	H204	31219	External Pressure Valve Control Assembly M1670/861 Knob for 13753	H228	36099	Side Bar Meat Barrel for 13753	H250
36035	Horseshoe INOX Stainless Steel Aluminum Lid for 13753	H204	36030	Grommet S-TEC 5308119 Grey PG11 Poliamide IP68 for 13753	H229	19237	Horizontal Knee Lever Shaft/Bar Stainless Steel without Green Rubber Sleeve (NH) for 13753	H251
16539	Lid Opening Lever NH with Knob Green for 13753	H205	36044	Metal Grommet Nut PG11 for 13753	H230	36100	Switch 3-Phase 20A 0-1 A 90° (from 11/01) for 13753	H252
16517	Knob PM LISO Green M10 Cod. 470743102 for 13753	H206	36031	Handle Green M8 Cod. 470514302 12/01 for 13753	H231	16548	Internal Fork Knee Lever Stainless Steel for 13753	H253
19238	Green Rubber Sleeve for Knee Lever for 13753	H207	36074	Plate Pressure Control Panel H Lexan Green for 13753	H232	16547	Internal Fork Knee Lever Activator Stainless Steel for 13753	H254
16549	Vertical Shaft Knee Lever from 02/00 89mm Horizontal M for 13753	H208	16522	Hydraulic Control 102N1SA22I-TA4 with Pressure Knob from 1997 for 13753	H233	36102	Threaded Galvanized Rod Fitted M8mm Knee Lever 120mm for 13753	H255
16550	Vertical Shaft Knee Lever from 02/00 Long 97mm for 13753	H208	36022	Circular Sticker D.70mm Aceite/Oil Filling Cap NH Lexan for 13753	H234	19415	Internal Fork Hydraulic Control Activator Stainless Steel for 13753	H256
16551	Bronze Bushing B11 B-25-32-25/40-4 with Collar (Knee Lever) for 13753	H209	16527	Green Plastic Tube Filling Hole to Oil Reservoir no Cap no Dip-Stick for 13753	H235	16525	Pressure Gauge D.63 Ref. MGS10/3/B 0-160 Bar Thread 1-4 for 13753	H258
19239	Bronze Bushing B11 B-25-32-30/40-4 with Collar (Knee Lever) for 13753	H209	16526	Oil Filling Cap Green Plastic with Dip-Stick for 13753	H236	36036	Hose for Pressure Gauge 1/4 Length 260mm for 13753	H259
31220	Seal for Access Panel 409/461mm Red Green for 13753	H210	36081	Stainless Steel Hexagonal Nut M27 DIN934 (Clamp) for 13753	H237	36043	Lid Nut Locking Lever H Economy without Knob Green M10-M12 for 13753	H260
16524	Micro Position Detector Comepi Metal Wheel (1997) for 13753	H211	36108	Washer Stainless Steel Straight D.28-M27 DIN125 (Flange) for 13753	H238	18230	Circular Seal for Barrel Bottom 13753P D.Ext 286mm Green Rubber for 13753	H261
19411	Oil Inlet Filter 2FA10R125N of 10 L/min Female Thread 3/8 BSP for 13753	H212	27876	Fixed Meat Barrel CE97 for 13753	H239	36106	Washer Metaloplastic Hydraulic 3/8 for 13753	H263
23808	Circular Lid for Barrel Oil Filter without O-Ring without Filter Bichromat for 13753	H213	36076	Removable Meat Barrel for 13753	H239	23809	Washer Straight Black Rubber D.50/D.34/4 (Oil Drain Cap NH) for 13753	H264
31200	Wheel D.80mm (Small/Medium/1998) Green Nylon for 13753	H214	27877	Stainless Steel Barrel Bottom Protection Disc for 13753	H240	23810	Washer S/S Special M16 DIN9021 D.17/D.50/3 Oil Drain Cap NH for 13753	H265
36042	Isolating Box LEGRAND 100/100/55mm Code 92138 for 13753	H215	36033	Hood Clamp Hydraulic Cylinder D.174/1mm Stainless Steel for 13753	H240	36062	Oil Drain Cap Metal ATME Thread 3/8 BSP Bichromatic for 13753	H266
79579	Contact, LS MC-22B AC 110V/60&50Hz 1A1B EXP A.C. 22 AMP for 13753	H217	31223	Stainless Steel Hexagonal Screw M12/50 DIN933 (Barrel) for 13753	H241	36037	Hydraulic Control Micro Switch Holder from 02/02 for 13753	H267
39059	Air Extraction Fan 220V 1PH for 13753	H219	36090	Seal Circular Lid Silicone Ext. Diam. 306mm for 13753	H242	21584	Ring Threaded M16/2mm Stainless Steel Piston Aluminum for 13753	H268